

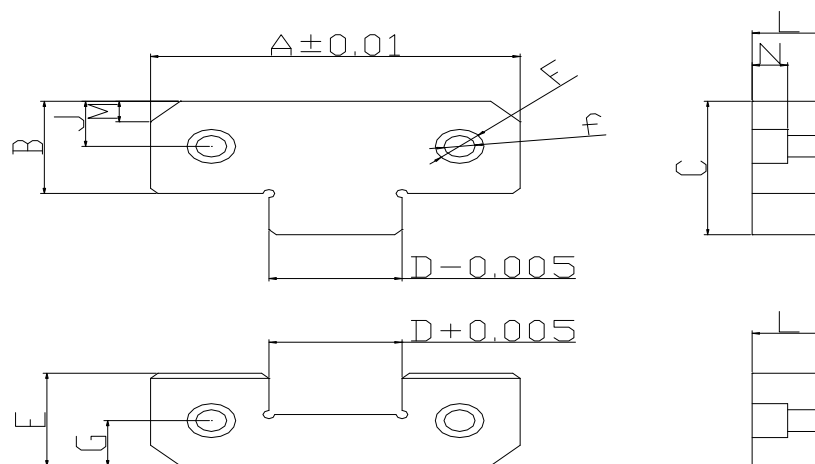
INDIAN TECHNO ACCESSORIES CO.

Mould Bases & Die Sets Accessories Co.

Email : sales@itac.in, itac2008@yahoo.com

Straight Side Inter Lock Set:

Material: 56-60 HRC



T-Type, Unit in MM

A	B	C	D	E	F	F	G	J	K	L	M	N	UNIT PRICE
38	22	30	12	22	10.5	6.5	7	7	22	13	5	8	
50	21.5	30	17	21.5	10.5	6.5	11	11	34	16	5	8	
75	36	50	25	36	16.5	10.5	18	18	50	19	8	12	
100	45	65	35	45	16.5	10.5	22	22	70	19	10	12	
125	45	65	45	45	16.5	10.5	22	22	84	25	10	12	

T I -Type, Unit in Inches.

We can supply you even in inches, as per custom design and dimension.

Latch Lock:



相關說明:

此開閉器專為分段開閉的模具所設計，可精確調整板模在不同區段與距離，進行開閉的動作。依模具設計，可安排開模的先後順序。

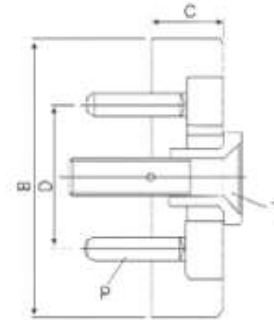
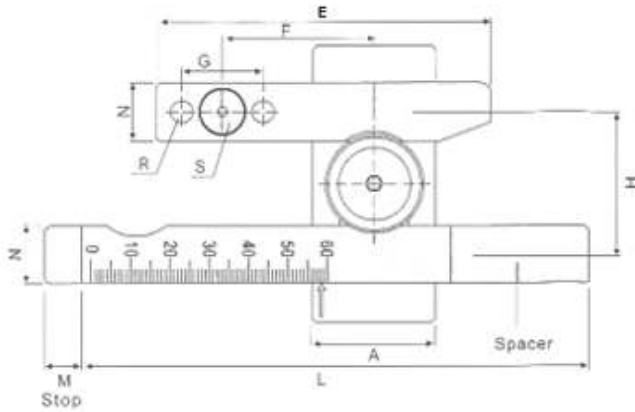
Latch Lock: Designed for two steps opening moulds.

The gradual scale allows selection of the first opening.

The priority of opening depends on position of assembly.

■ 材質: Mat.1.0503

■ 硬度: 55 ± 3 HRC.

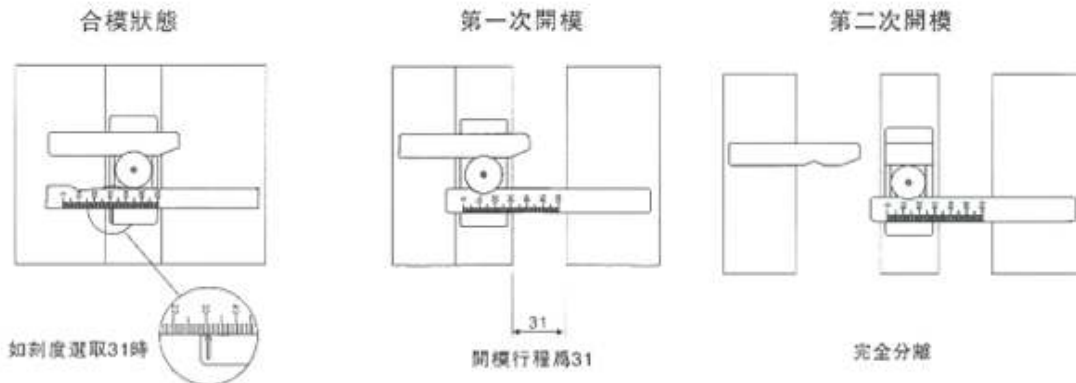


型號	A	B	C	D	E	F	G	H	L	M	N	P (X2)	R (X4)	S (X2)	T	Sca	單價
SGS.226616	22	66	16	38	75	30	25	32	105	10	15	Φ6X20	Φ6X30	M6X30	M6X35	40	
SGS.368619	36	86	19	46	102	43	32	42.7	153	12	20	Φ8X24	Φ8X36	M8X35	M8X40	60	
SGS.421024	42	106	24	56	124	51	40	50.2	190	15	24.5	Φ10X30	Φ10X40	M10X40	M10X45	80	

注意事項：開模的行程決定後，先將標示有游標卡尺的拉桿位置固定。

IMPORTANT: After selecting the required stroke, fix the scale lever with the spacer.

使用例 Example

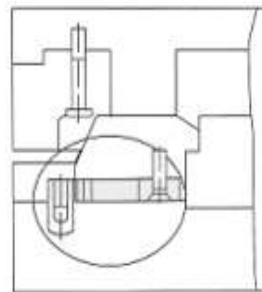
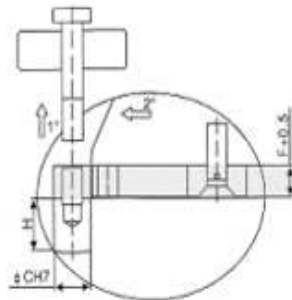
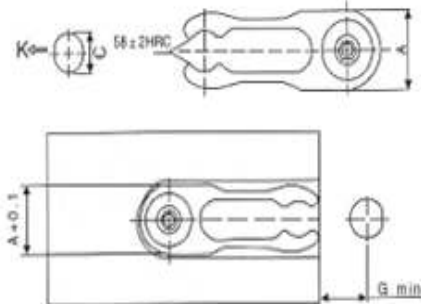
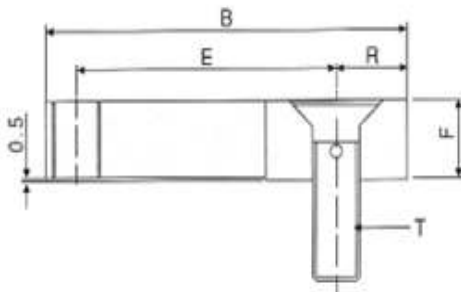


Slide Lock:



非常簡單實用，祇需要很小的空間就可以安裝固定。

材質：1.8159
 硬度：45 ± 3HRC

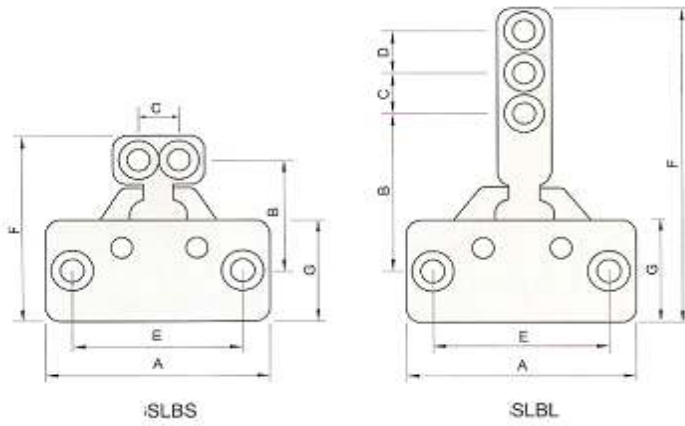


型號	尺寸									荷重 K(kgf)	單價
	A	B	C	E	F	G	H	R	J		
SRC.123006	12	30	6X20	21	5	4	16	6	M5X16	5	
SRC.164008	16	40	8X20	28	6	5	15	8	M6X25	7	
SRC.205010	20	50	10X24	34	8	6	17	10	M8X30	14	
SRC.246012	24	60	12X32	42	10	7	23	12	M10X40	21	
SRC.328012	32	80	16X40	56	12	9	27	16	M12X50	28	
SRC.328016					16		25			38	

K值表示滑快定位器的夾持力量

SLIDE LOCK (B、E TYPE)

SLBS



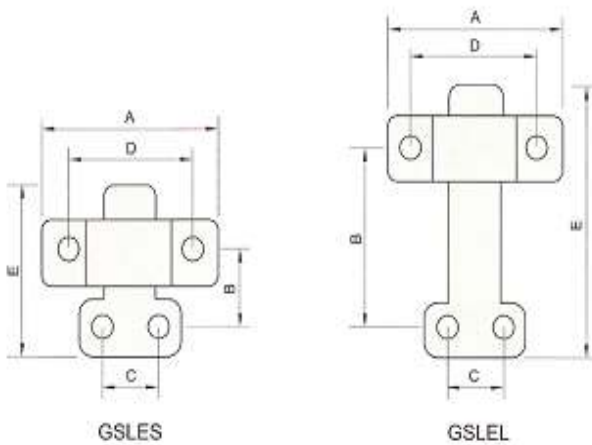
SK-2
HRC58°-60°

Type No.	A	B	C	D	E	F	G	拉力	SHCS	U'price
SLBS	78	40	15	-	60	68	38	500kg	5/16"	
SLBL	78	58	15	15	60	116	38	500kg	5/16"	

mm

Order: SLBS - QTY

SLES



SK-2
HRC58°-60°

Type No.	A	B	C	D	E	拉力	SHCS	U'price
SLES	62	28	20	45	54	400kg	5/16"	
SLEL	62	62	20	45	88	400kg	5/16"	

mm

Order: SLES - QTY

SLIDE LOCK SETS

位置	Type No.	
	RLA	RLB
A1	20	6
A2	12.5	12
A3	23	21
A4	11	10
D1	8	5
D2	17	10.5
D3	10	6.5
D4	17	11
D5	10	6.5
H1	62.5	48
H2	25	20
H3	33	28
L1	10	6.5
L2	10	6.5
M1	M14*2.0	M12*1.75
P1	35	25
P2	70	60
P3	26	18
P4	20	12.5
R1	R6.5	R4.25
T1	30	20.5
T2	19.5	12
T3	30	20.5
W1	60	40
W2	25.5	17.5
W3	127.5	86
Z1	21	20
	350	190

RLA RLB

